

Inquiry No. / Quotation No.		To be filled in by ystral	Representative	
Object No.			Date	
Customer No.			Report No.	

	Customer Process Questionnaire End product / Components	Page 1 of 2
---	---	-------------

4 Customer		4 Name	
4 Address		4 Div./Fct.	
		4 Tel.	
		4 Email	
		4 Fax	

Which end product do you want to produce?

4 Description					4 Is the product abrasive?	<input type="checkbox"/> No	<input type="checkbox"/> Yes	<input type="checkbox"/> Strong	<input type="checkbox"/> weak
4 Quantity		kg		Ltr.	4 Has the product the tendency to foam?	<input type="checkbox"/> No	<input type="checkbox"/> Yes	<input type="checkbox"/> Strong	<input type="checkbox"/> Weak
4 Normal process temp.					4 Is the end product sticky or lumpy?	<input type="checkbox"/> No	<input type="checkbox"/> Yes		
4 Max. Permissible temp.					4 What particle size and/or particle size distribution do you want to reach in the end product?				
4 Max. viscosity at temperature	mPas (=cP)								
4 Measuring method									
4 Spec. Weight	kg/dm ³								

Which components are to be treated?

1) Information about the basic liquid (initial conditions)

4 Description					4 Viscosity		mPas (=cP)
4 Quantity		kg		Ltr.	4 Spez. Spec. weight		kg/dl/dm ³
4 Temperature							
4 Flows like							

2) Information about further liquid components

4 Description									
4 Quantity		kg		Ltr.		kg		Ltr.	
4 Adding temperature					°C				
4 Adding viscosity					mPas (=cP)				

3) Information about solid/powder components

4 Description								
4 Quantity	kg				kg			
4 Bulk density	kg/dm ³				kg/dm ³			
4 Does the solid/powder have the ability to flow?	<input type="checkbox"/> No	<input type="checkbox"/> Yes	<input type="checkbox"/> Good	<input type="checkbox"/> Bad	<input type="checkbox"/> No	<input type="checkbox"/> Yes	<input type="checkbox"/> Good	<input type="checkbox"/> Bad
4 Has the solid/powder the tendency to create dust?	<input type="checkbox"/> No	<input type="checkbox"/> Yes			<input type="checkbox"/> No	<input type="checkbox"/> Yes		
4 What is the initial particle size of the solids/powder?	Primary grain		mm	Agglomerate	Primary grain		mm	Agglomerate
4 From what type of vessel is solid/powder taken?	<input type="checkbox"/> Bag	<input type="checkbox"/> BigBag	<input type="checkbox"/> Drum	<input type="checkbox"/> Silo	<input type="checkbox"/> Bag	<input type="checkbox"/> BigBag	<input type="checkbox"/> Drum	<input type="checkbox"/> Silo

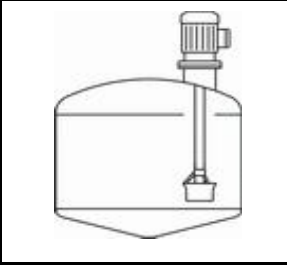
4) Information about other components

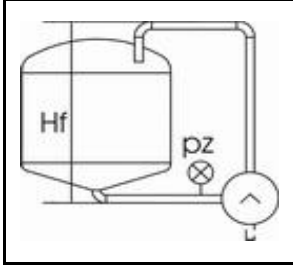
What processes are required?

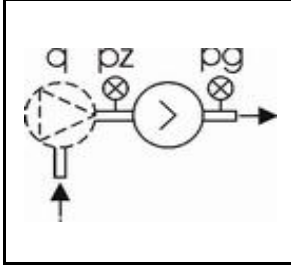
- | | | | | |
|-------------------------------------|---------------------------------------|---------------------------------------|-------------------------------------|---|
| <input type="checkbox"/> Mixing | <input type="checkbox"/> Homogenising | <input type="checkbox"/> Suspending | <input type="checkbox"/> Dissolving | <input type="checkbox"/> Powder induction and wetting |
| <input type="checkbox"/> Dispersing | <input type="checkbox"/> Emulsifying | <input type="checkbox"/> Wet grinding | <input type="checkbox"/> Aerating | <input type="checkbox"/> Others |

What type of production process will be suitable?

<input type="checkbox"/> Batch production	<input type="checkbox"/> Production in circulation	<input type="checkbox"/> Continuous production (Inline)
<input type="checkbox"/> Batches per 8 hours	Pumping height Hf <input type="text"/> mm	<input type="checkbox"/> Pump available
	Static pressure pz <input type="text"/> bar	







Throughput q	
min.	<input type="text"/> m³/h
max.	<input type="text"/> m³/h
Static pressure pz	<input type="text"/> bar
Counter pressure pg	<input type="text"/> bar

Please give a short description of the task

New line: [Alt-Enter]

What is the present process and what improvements do you want to achieve?

New line: [Alt-Enter]

Further technical requirements

<p>4 <u>Main supply</u></p> <input type="checkbox"/> unknown <input type="text"/> V <input type="text"/> Hz	<p>4 <u>Ex-class motor</u></p> <input type="checkbox"/> No Ex-class <input type="checkbox"/> EEx e <input type="checkbox"/> T3 <input type="checkbox"/> EEx de <input type="checkbox"/> T4 <input type="checkbox"/> Zone	<p>4 <u>Ex-class for the machine</u></p> <input type="checkbox"/> Non-Ex <input type="checkbox"/> Dust-Ex T135°C <input type="checkbox"/> Dust-Ex T200°C <input type="checkbox"/> Gas-Ex T4 <input type="checkbox"/> Gas-Ex T3	<p>4 <u>Motor speed</u></p> <input type="checkbox"/> Single speed motor <input type="checkbox"/> Two speed motor <input type="checkbox"/> Variable speed motor <input type="checkbox"/> Frequency converter <input type="checkbox"/> Gear box
<p>4 <u>Material in contact with the product</u></p> <input type="checkbox"/> 1.4571 (316Ti) Standard <input type="checkbox"/> Others <input type="text"/>	<p>4 <u>Elastomeres in contact with the product</u></p> <input type="checkbox"/> FPM Fluorelastomere (Viton) <input type="checkbox"/> EPDM <input type="checkbox"/> FFKM Perfluorelastomer (Kalrez) FPM (Viton) - FEP coated		<p>4 <u>Additional requirements</u></p> <div style="border: 1px solid black; height: 50px; width: 100%;"></div>

Contact



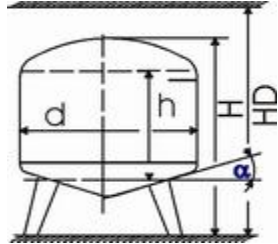
ystral gmbh
maschinenbau + processtechnik
Wettelbrunner Strasse 7
D-79282 Ballrechten-Dottingen

Phone: +49 (7634) 5603 0
Fax: +49 (7634) 5603 99
Email: ystral@ystral.de
WEB: www.ystral.de

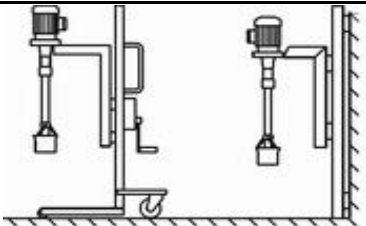
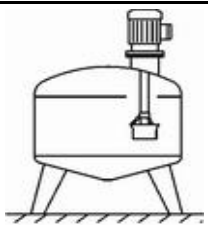
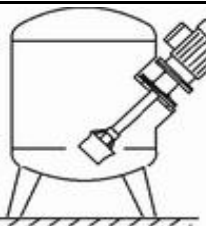

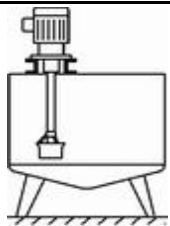
Machine data (filled in by ystral)	Responsible	Date

Is a process vessel available and what is its specification

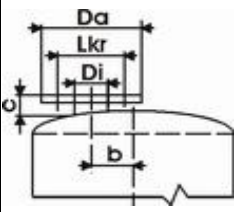
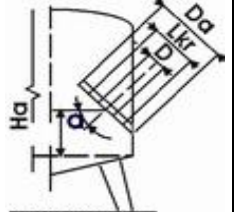
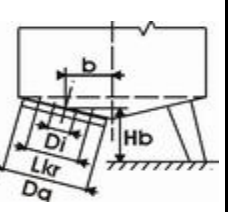
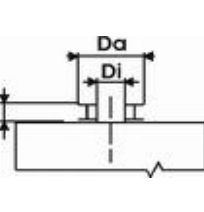
<input type="checkbox"/> Existing vessel with the following specifications	<input type="checkbox"/> Vessel does not exist but is planned with the following specifications	<input type="checkbox"/> Vessel does not exist, no detailed specifications available
--	---	--

<p>4 Vessel form</p> <p><input type="checkbox"/> Cylindrical vessel</p> <p>Cyl. Height <input type="text"/> mm</p> <p>Diameter d <input type="text"/> mm</p> <p>Height H <input type="text"/> mm</p> <p><input type="checkbox"/> Rectangular vessel</p> <p>Length <input type="text"/> mm</p> <p>Width <input type="text"/> mm</p> <p>Height H <input type="text"/> mm</p> <p>4 Pressure in vessel</p> <p><input type="checkbox"/> Atmospheric pressure</p> <p><input type="checkbox"/> Press. <input type="text"/> bar</p> <p><input type="checkbox"/> Vacuum <input type="text"/> bar</p>	<p>4 Bottom form</p> <p><input type="checkbox"/> Dished <input type="checkbox"/> Diffuser</p> <p><input type="checkbox"/> Cone: $\alpha =$ <input type="text"/> <input type="checkbox"/> Flat</p> <p>4 Top form</p> <p><input type="checkbox"/> Dished <input type="checkbox"/> Open</p> <p><input type="checkbox"/> Cone: $\alpha =$ <input type="text"/> <input type="checkbox"/> Flat</p> <p>4 Is the vessel equipped with a heating/cooling jacket?</p> <p><input type="checkbox"/> Yes <input type="checkbox"/> No</p> <p>4 Which minimum/maximum filling volumes do you want to handle?</p> <p>Min. volume <input type="text"/> dm³</p> <p>Max. volume <input type="text"/> dm³</p>	 <p>4 Overall room height HD in the area <input type="text"/> mm</p> <p>4 Is there any additional equipment mounted in the vessel (Stirrer, baffles)?</p> <p><input type="checkbox"/> No</p> <p><input type="checkbox"/> Yes (please supply drawing)</p>
---	---	---

Which type of installation is foreseen or required?

<input type="checkbox"/> Installation on a lifting stand	<input type="checkbox"/> Top entry with flange	<input type="checkbox"/> Side entry with flange	<input type="checkbox"/> Bottom entry with flange	<input type="checkbox"/> From top on a traverse
<input type="checkbox"/> Moveable <input type="checkbox"/> Stationary				
				

Which installation facilities on the vessel are existing or planned?

<input type="checkbox"/> No installation facilities existing or planned on the vessel				
---	---	--	---	---

Outer diameter	Da	<input type="text"/>	mm	<input type="text"/>	mm	<input type="text"/>	mm	<input type="text"/>	mm
Bolt circle diameter	Lkr	<input type="text"/>	mm	<input type="text"/>	mm	<input type="text"/>	mm	<input type="text"/>	mm
Number and diameter of drill holes/threadungen / Gewinde im Lkr.		<input type="text"/>		<input type="text"/>		<input type="text"/>		<input type="text"/>	
Inner diameter	Di	<input type="text"/>	mm	<input type="text"/>	mm	<input type="text"/>	mm	<input type="text"/>	mm
Distance to centre axis	b	<input type="text"/>	mm	<input type="text"/>	mm	<input type="text"/>	mm	<input type="text"/>	mm
Height above top	c	<input type="text"/>	mm	<input type="text"/>	mm	<input type="text"/>	mm	<input type="text"/>	mm
Height in cylindrical part	Ha	<input type="text"/>	mm	<input type="text"/>	mm	<input type="text"/>	mm	<input type="text"/>	mm
Distance from bottom	Hb	<input type="text"/>	mm	<input type="text"/>	mm	<input type="text"/>	mm	<input type="text"/>	mm

Contact



ystral gmbh
maschinenbau + processtechnik
Wettelbrunner Strasse 7
D-79282 Ballrechten-Dottingen

Phone: +49 (7634) 5603 0
Fax: +49 (7634) 5603 99
Email: ystral@ystral.de
WEB: www.ystral.de



Customer Process Questionnaire
Additional information / Sketches

Appendix 2

Additional information and sketches

New line: [Alt-Enter]

Contact



ystral gmbh
maschinenbau + processtechnik
Wettelbrunner Strasse 7
D-79282 Ballrechten-Dottingen

Phone: +49 (7634) 5603 0
Fax: +49 (7634) 5603 99
Email: ystral@ystral.de
WEB: www.ystral.de