

YSTRAL Multipurpose X50/X100/X200

Flexibility is trump

Multi-functional by exchangeable shafts and tools

The advantage of the YSTRAL Multipurpose-Elements is given by the modular set-up: exchangeable shafts and exchangeable mixing and dispersing tools. Up to now this was known primarily in the laboratory sector.

With the YSTRAL Multipurpose this advantage is also applied for the production equipment. With only one machine a variety of products and volumes may be treated with the most suitable tool. For the highest demands in hygienic fields of application, all connections are sealed according to the GMP guidelines.

Numerous variants for drives and lifting frames complete the Multipurpose systems.

The essential advantages:

- Highest flexibility provides certainty in the investment – short set-up times and simple handling
- Batch sizes from 5 up to 2.000 l are covered by the X50, X100 and X200 series
- Different variants for drives and lifting frames
- The adapter X100/X50 offers the possibility to produce batches with a volume of 5 up to 1.000 l with the X100 system
- By a simple exchange of the shafts you can use it as a Jetstream Mixer, a Dispermix, a Disperser or as a powder induction and wetting system

TOOLS



Jetstream Mixer:
Homogeneous mixing and suspending without incorporation of air



Dispermix:
Homogeneous mixing and dispersing in one step



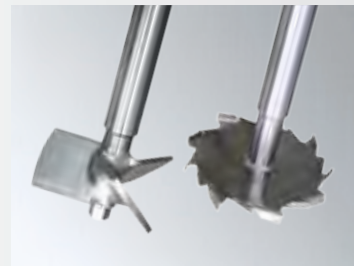
HS-Dispermix:
Dispermix with increased shear effect



Batch Disperser:
Dispersing with highest shear gradient



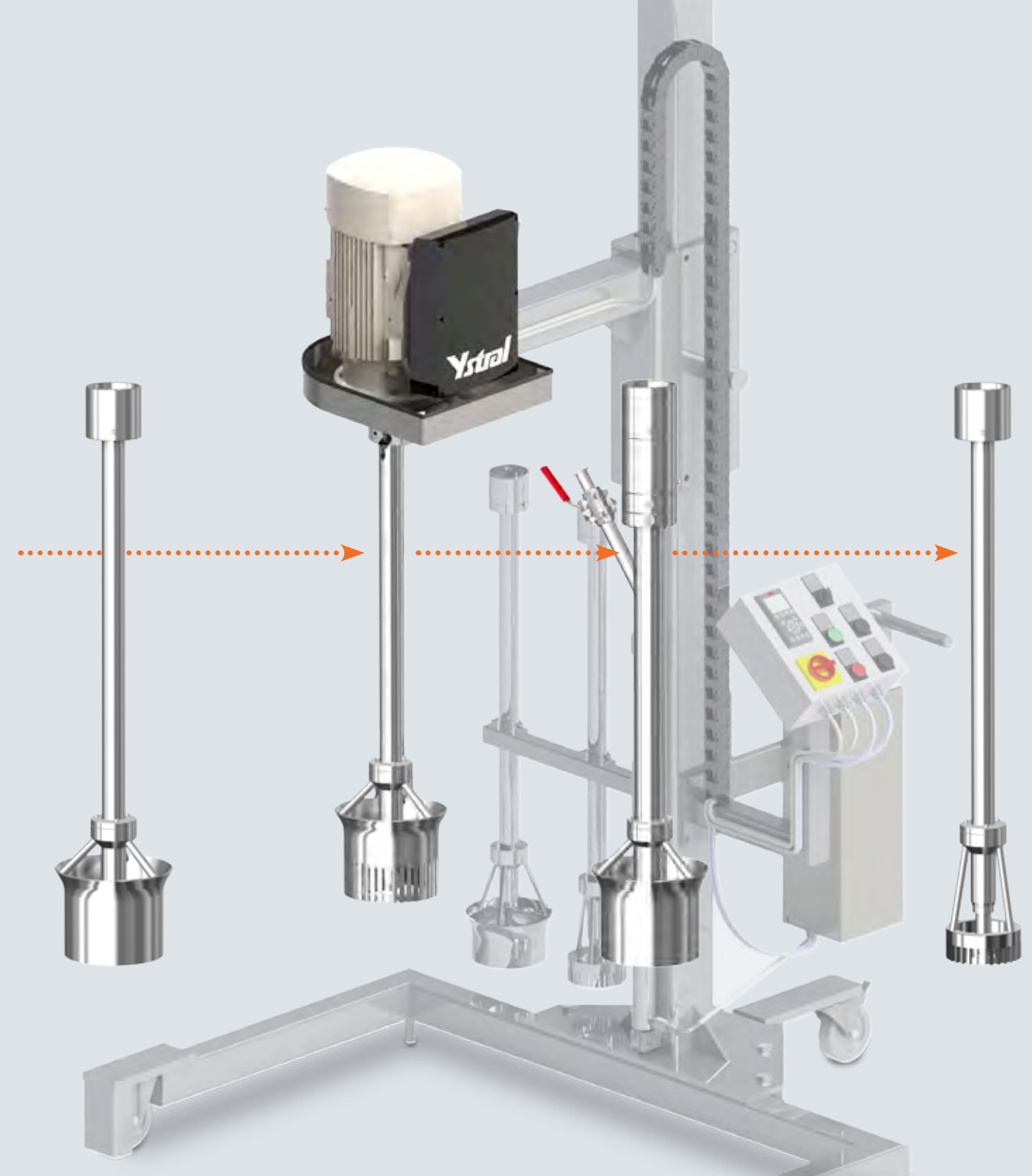
TDS-Induction Mixer:
Dust-free induction and wetting of powders in liquids



Other tools upon customer's request



Adapter for small batches:
The adapter allows the use of a X50 shaft in combination with a YSTRAL Multipurpose X100 (for a batch size starting with 100 l) to cover batch sizes in the range of 5 – 100 l.



Technical Data

| | |
|------------------------|--|
| Power | 1,5 kW – 7,5 kW with exchangeable shafts and tools |
| Voltage | 230 / 400 V, 50 / 60 Hz, special voltages |
| Speed | 750 / 1.500 min ⁻¹ , 1.500 / 3.000 min ⁻¹ , infinitely variable speed up to 3.600 min ⁻¹ with a frequency converter |
| Shaft and tool | separated from the motor with bearing supported shaft, plug-in connection to the drive |
| Submersed parts | stainless steel 1.4404 (AISI 316 L), special materials |
| Seal | Lip seal, mechanical seal depending on operational conditions |
| Options | explosion proof execution, certifications, qualifications |

